

PLEXI SOLUTIONS

Stay safe, but stay ready!

STAY **SAFE**, BUT STAY **READY!**

HYGIENE SOLUTIONS FOR **COVID-19**

DEVICES & PRODUCTS

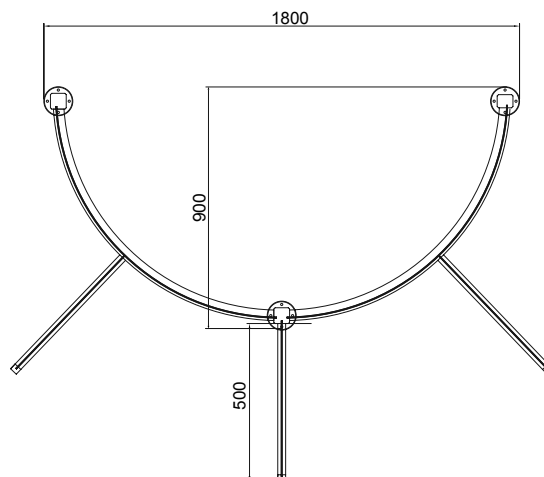
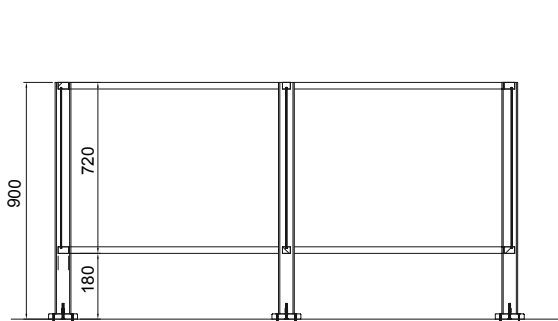
HYGIENE SOLUTION

PLEXI SOLUTION

NOW AVAILABLE!



tableswin



DIMENSIONS

TW108: Plexiglas panel painted brass finish (minimum quantity 3 pcs)

TW108/N: Plexiglas panel black finish (minimum quantity 3 pcs)

TECHNICAL DATA

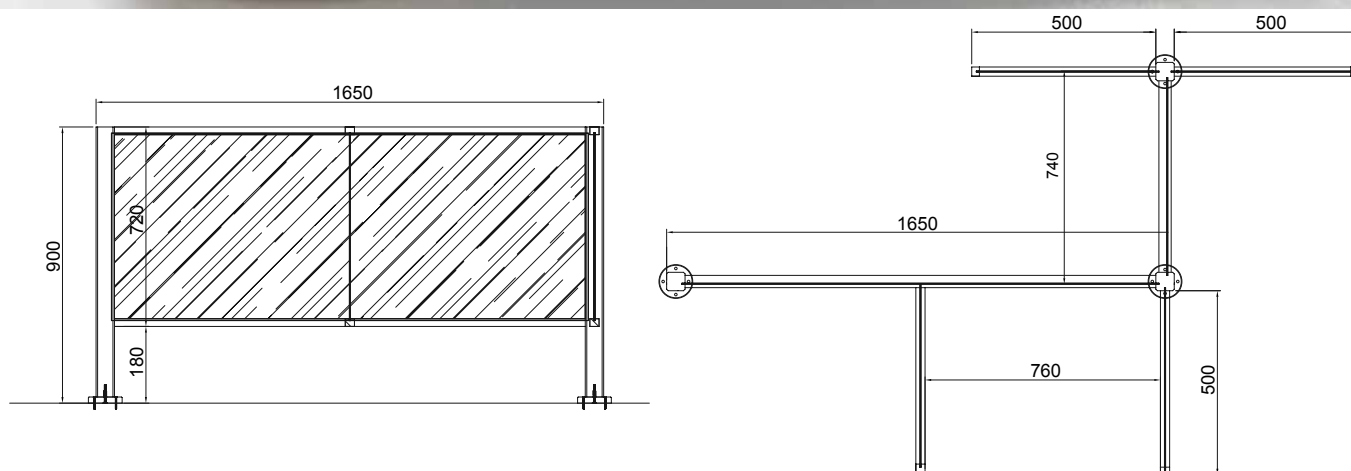
Material: Transparent Plexiglas + real wood

Available finishes: black and painted brass

FEATURES

Transparent plexiglas panel dedicated to card tables. Very easy to use and assemble by applying it directly on the top of the table and it is positioned in front of the players to avoid the spread of the virus through contact between the players and the croupier.

Ready for shipment in 15 days



DIMENSIONS

TW109: Plexiglas panel painted brass finish (minimum quantity 3 pcs)

TW109/N: Plexiglas panel black finish (minimum quantity 3 pcs)

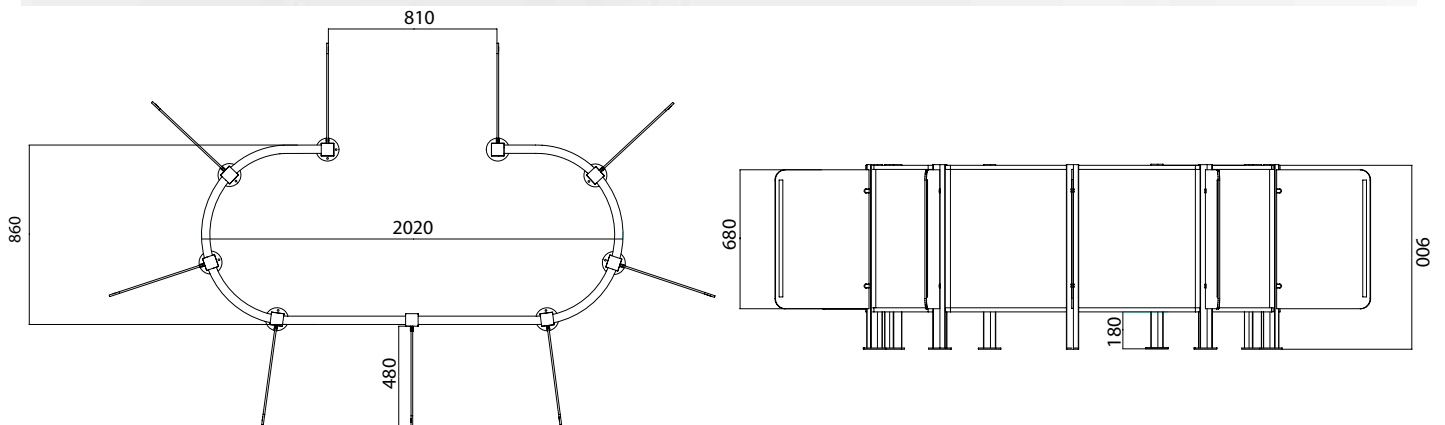
TECHNICAL DATA

Material: Transparent Plexiglas + real wood
 Available finishes: black and painted brass

Ready for shipment in 15 days

FEATURES

Transparent plexiglas panel dedicated to roulette tables. Very easy to use and assemble by applying it directly on the top of the table and it is positioned in front of the players to avoid the spread of the virus through contact between the players and the croupier.



DIMENSIONS

TW115: Plexiglas panel painted brass finish (minimum quantity 3 pcs)

TW115/N: Plexiglas panel black finish (minimum quantity 3 pcs)

TECHNICAL DATA

Material: Transparent Plexiglas + real wood
 Available finishes: black and painted brass

Ready for shipment in 15 days

FEATURES

Transparent plexiglas panel dedicated to poker tables. Very easy to use and assemble by applying it directly on the top of the table and it is positioned in front of the players to avoid the spread of the virus through contact between the players and the croupier.



DIMENSIONS

TW110: Plexiglas panel black finish. Height adjustable from plexiglas to the floor **83, 88, 93, 98, 103, 108, 113** cm.

Total height from **165** to **195** cm (minimum quantity 10 pcs)

Designed for **every** type of table (card table, roulette, electronic table ecc.)

Ready for shipment in 15 days

TECHNICAL DATA

Material: Transparent Plexiglas + metal

Available finishes: black

FEATURES

Transparent plexiglas panel dedicated to any type of need. It is useful for dividing the player stations in any type of table, whether from cards, roulette or electronic table.



DIMENSIONS

TW111/60: Panel L600 H1850 mm (minimum quantity 10 pcs)

TW111/80: Panel L800 x H1850 mm (minimum quantity 10 pcs)

TW111/100: Panel L1000 x H1850 mm (minimum quantity 10 pcs)

Ready for shipment in 15 days

TECHNICAL DATA

Material: amber alveolar polycarbonate
Aluminium profile

FEATURES

Amber alveolar polycarbonate panel designed to divide the players' positions in the slot area of the Casino. The aluminum profile of this partition rests directly on the floor ensuring partition stability.



DIMENSIONS

TW112: Panel H1400mm (plus height of slot base) L500mm
(minimum quantity 10 pcs)

Ready for shipment in 15 days

TECHNICAL DATA

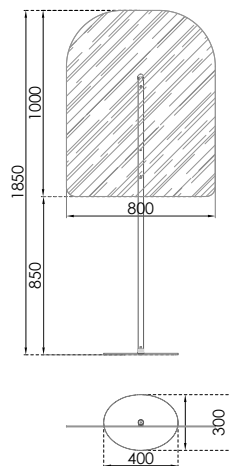
Material: plexiglas
Available finishes: black
Fixing: to the slot base

FEATURES

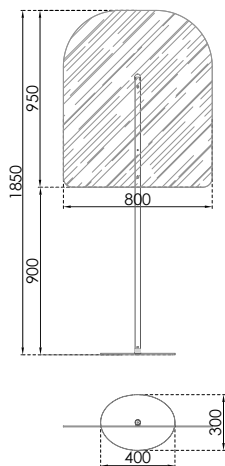
Plexiglas panel designed to divide the players' positions in the casino slot area. It is easy to assemble via the aluminum plate on the bottom of the divider that allows fixing directly to the slot base.



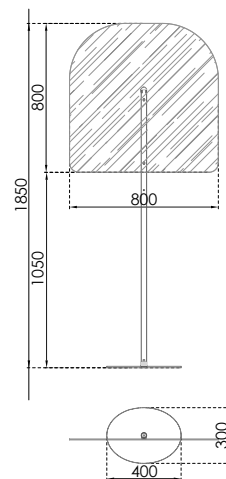
TW113/85
slot/electronic roulette



TW113/90
card table with chair/roulette table



TW113/105
card table with stool



DIMENSIONS

TW113/85: Plexiglas panel black finish (minimum quantity 10 pcs)

TW113/90: Plexiglas panel black finish (minimum quantity 10 pcs)

TW113/105: Plexiglas panel black finish (minimum quantity 10 pcs)

Ready for shipment in 15 days

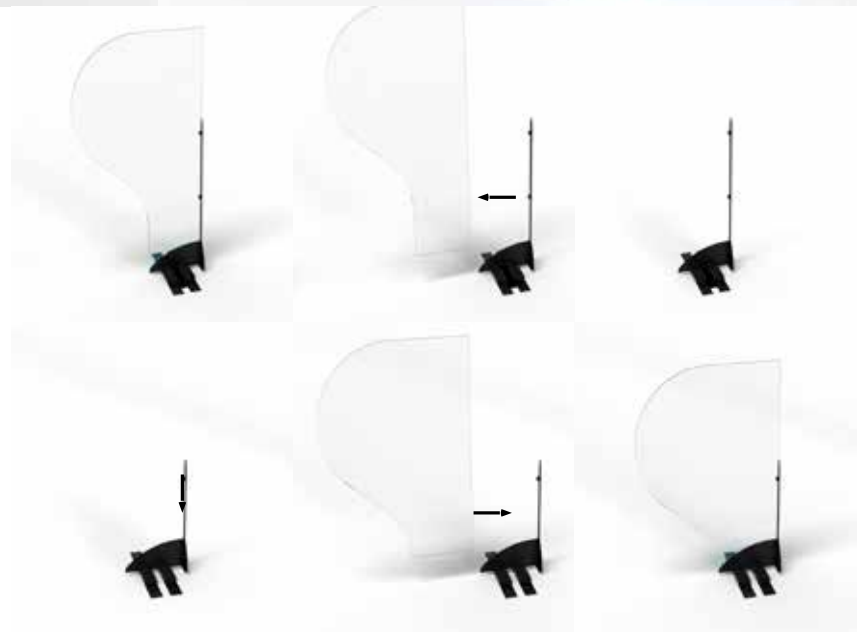
TECHNICAL DATA

Material: Transparent Plexiglas + metal

Available finishes: black

TW114 - FLAG LED DIVIDER

tableswin



With one adjustable base you can use both plexiglas panel

TW114: Aluminium base. Black finish.
(minimum quantity 10 pcs)

TW114/B: Plexiglas panel H1450 mm
(minimum quantity 10 pcs)

TW114/C: Plexiglas panel H1850 mm
(minimum quantity 10 pcs)

TW114/D: LED rgb + controller

TECHNICAL DATA

Material: Transparent Plexiglas with LED + metal
Available finishes: black

Ready for shipment in 14 days

CONTACTS

www.tables-win.com

info@tableswin.com

+39 0424 533831



HEADQUARTER

Via San Giovanni Bosco 41

Cassola - 36022

Vicenza - Italy

VAT NR. 03988060244

tableswin